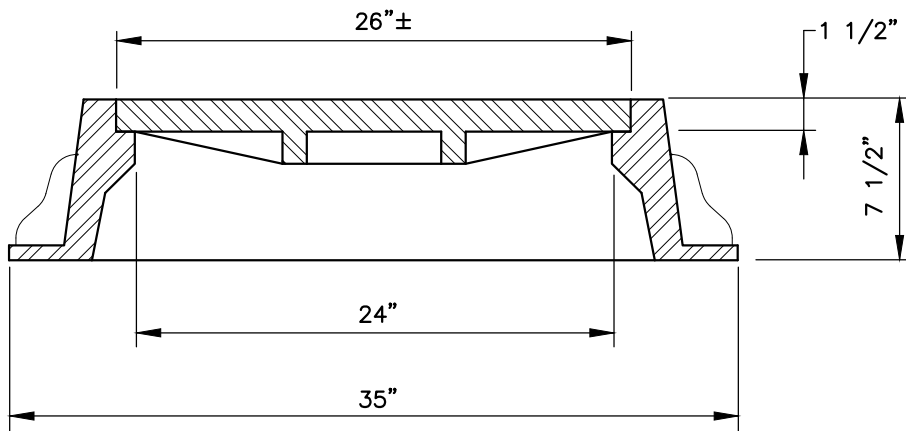


PLAN

NOTES:

1. PROVIDE WATERTIGHT MANHOLE COVERS FOR ALL MANHOLES LOCATED OUTSIDE OF THE ROAD R.O.W., IN THE 100' WETLAND BUFFER ZONE, OR IN A 100-YEAR FLOOD PLAIN.
2. COVER TO READ "SEWER" OR "DRAIN" AND YEAR "20XX."
3. MODEL NUMBER IS R-1643, TYPE C COVER.



SECTION A-A' STANDARD COVER



**DEPARTMENT OF PUBLIC WORKS
ENGINEERING DIVISION
TOWN OF BILLERICA,
MASSACHUSETTS**

**STANDARD SEWER &
DRAIN MANHOLE
FRAME & COVER**

CREATED BY: DCW/KCS

SCALE: NTS

FILE:

CHECKED BY: GA/JT

DATE: 06/29/2015