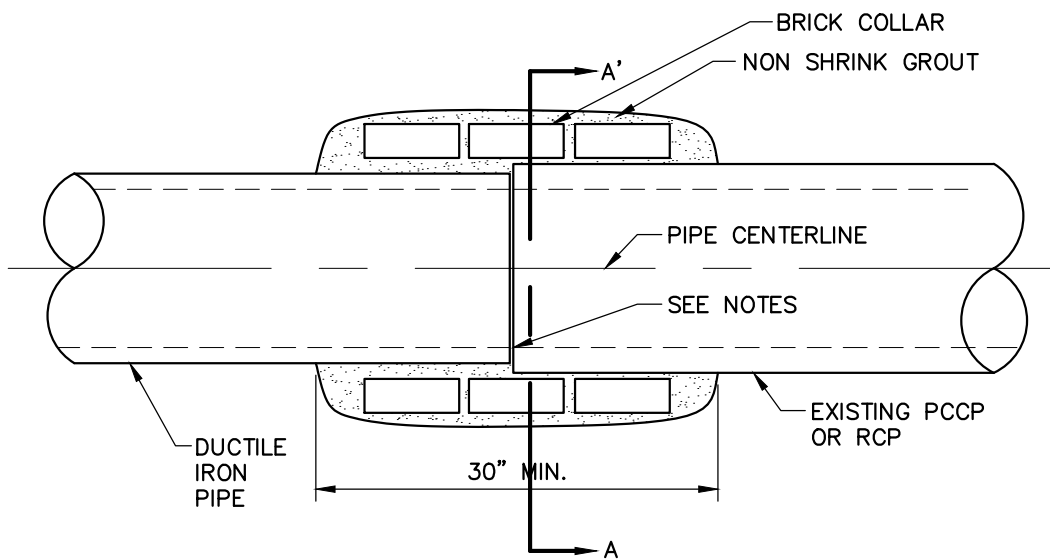


SECTION A-A'



NOTES:

1. BRICK COLLAR TO EXTEND AROUND ENTIRE PERIMETER OF PIPE.
2. NUMBER OF BRICKS REQUIRED WILL VARY BASED ON PIPE TYPE/DIAMETER.
3. IF PIPE INSIDE DIAMETERS DO NOT MATCH:
FOR PRESSURE PIPES – MATCH CENTERLINES
FOR GRAVITY PIPES – MATCH INVERTS



**DEPARTMENT OF PUBLIC WORKS
ENGINEERING DIVISION
TOWN OF BILLERICA,
MASSACHUSETTS**

**DUCTILE IRON PIPE
TO RCP / PCCP
CONNECTION**

CREATED BY: DCW/KCS

SCALE: NTS

FILE:

CHECKED BY: GA/JT

DATE: 06/29/2015